



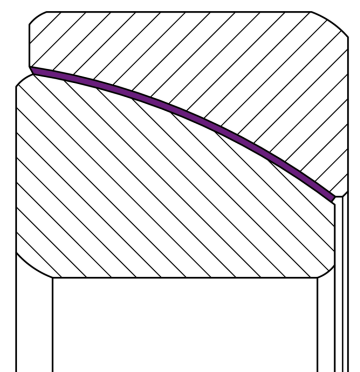
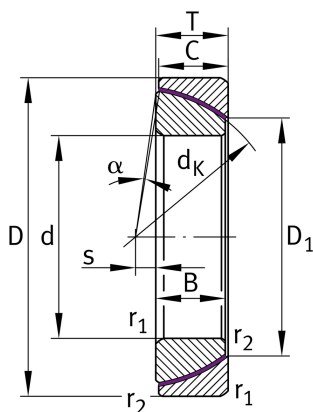
## GE25-SW

### Spherical plain bearing

Schaeffler ID:  
0066515340000

Angular contact spherical plain bearing, maintenance-free, DIN ISO 12240-2, inner ring curved surface with hard chromium coating, open design

### Technical information

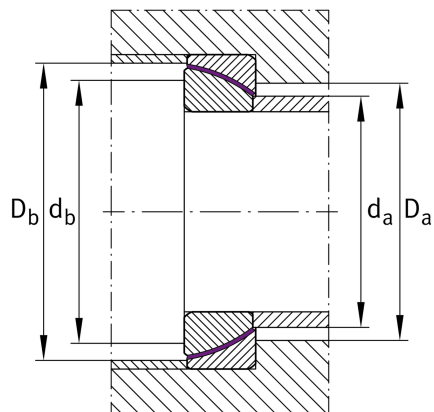


### Main Dimensions & Performance Data

d	25 mm	Bore diameter bearing
D	47 mm	Outside diameter bearing
T	15 mm	Height
B	14 mm	Width Inner ring
$C_r$	143,000 N	Basic dynamic load rating, radial
$C_{0r}$	239,000 N	Basic static load rating, radial
	0.135 kg	Weight

### Dimensions

$d_k$	42.5 mm	Ball diameter
$D_1$	31.4 mm	Bore diameter of housing washer
C	14 mm	Width Outer ring
s	1 mm	Plane Surface Spacing
$\alpha$	2.7 °	Tilt angle
$d_{OT}$	0 mm	Bore diameter bearing, upper tolerance
$d_{UT}$	-0.012 mm	Bore diameter bearing, lower tolerance
$D_{OT}$	0 mm	Outside diameter, upper tolerance
$D_{UT}$	-0.014 mm	Outside diameter, lower tolerance
$T_{OT}$	0.25 mm	Height, upper tolerance
$B_{OT}$	0 mm	Width inner ring, upper tolerance
$T_{UT}$	-0.25 mm	Height, lower tolerance
$B_{UT}$	-0.24 mm	Width inner ring, lower tolerance
$C_{OT}$	0 mm	Width outer ring, upper tolerance



### Mounting dimensions

$r_{1\text{min}}$	0.6 mm	Edge Spacing
$r_{2\text{min}}$	0.2 mm	Edge Spacing
$d_{a\text{max}}$	30.1 mm	Connection measure Inner ring
$D_{b\text{min}}$	43 mm	Connection diameter
$d_{b\text{max}}$	39.5 mm	Connection measure Inner ring
$D_{a\text{min}}$	34 mm	Housing Connection Diameter

### Temperature range

$T_{\text{min}}$	-50 °C	Operating temperature min.
$T_{\text{max}}$	150 °C	Operating temperature max.